

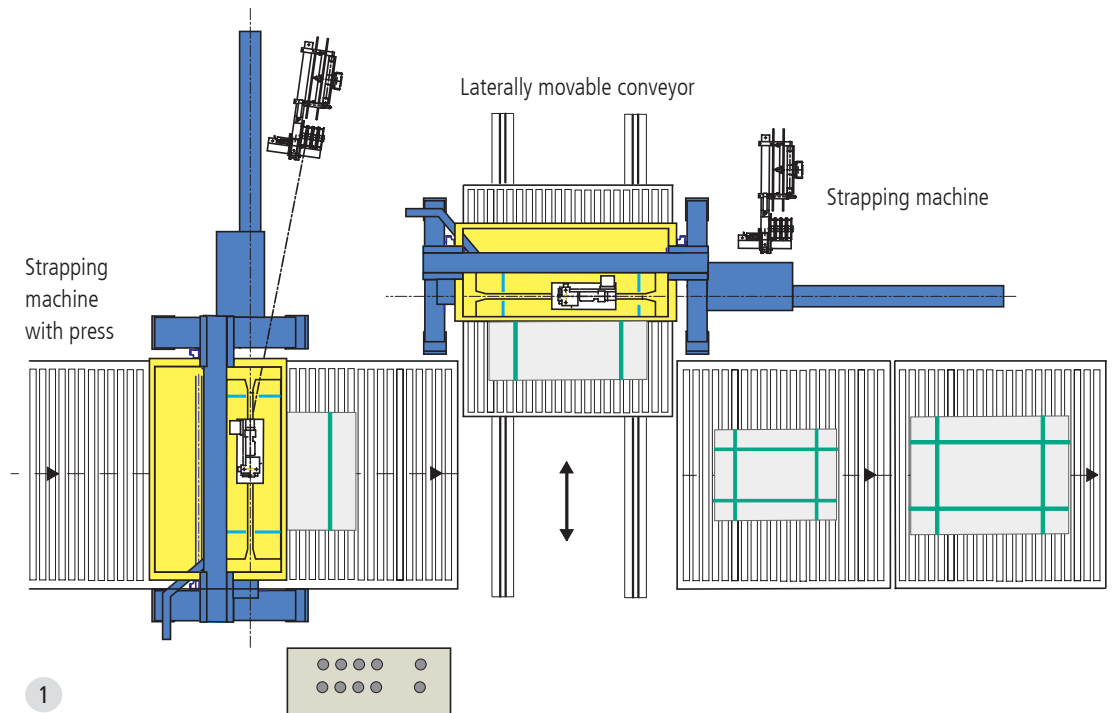
Product securing during transportation for the Paper industry



System solutions for the Paper industry

Customer benefits

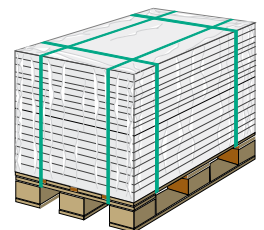
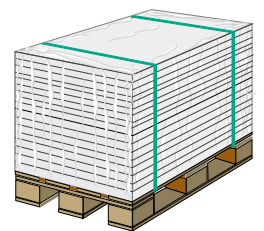
- Comprehensive advisory service
- Professional project documentation
- Development of your machine on the most modern 3D-CAD work stations
- Assembling and acceptance test in-house
- Integration and commissioning in your product line
- User-friendly operating instructions
- Training of your service and maintenance personnel



Pressing and strapping of format paper on pallets

1, 2, 3
Strapping installation for polyester strap

- Options:
 - Traverse strapping
 - Cross strapping
- Up to 80 pallets per hour with cross straps (2 x 2)
- Optimal distances between straps for various pallet sizes



Pressing and strapping of format paper on pallets

1 Machine with one strapping head for polyester strap



2 Machine with two strapping heads for polyester strap



Strapping of paper rolls

3 Machine for vertical strapping with polyester strap



Strapping of copy paper

4 Machine for strapping of copy paper in cardboard boxes



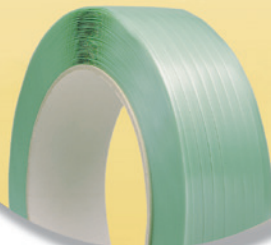
Manual strapping

5 Battery-powered hand tool for strapping with polyester strap



The Strapex Advantage

Machine, Strap and After-Sales Service as a total package



The right machine

Due to the flexibility of their machine construction programme, Strapex can offer tailor-made solutions for customers individual applications.

The right strap

A comprehensive range of plastic strap (PET) to ensure that strap and equipment are always the best possible combination!

Worldwide Sales and Service

You will receive expert advice on choosing the right solution and service package together with the guaranteed availability of spare parts.

Make your products feel safe



Own development and manufacturing



Proven solutions for various industry segments



Worldwide sales and service network

www.strapex.com